






MR16E 5W



A state of the art LED source and advanced driver, control, and thermal components comprise an integrated LED system with superior lifetime performance. Exceptional optics creates enhanced color uniformity and high lumen output, providing the quality and brightness of light produced by conventional light sources.

Lamp Features

Equivalent Source	25W Halogen
Typical Power Consumption	3.6W
Max. Power Consumption	5W
LED source	Cree XPC
Base/Socket	GU5.3 Base
Beam Spread	Narrow Spot, Narrow Flood, Flood, Very Wide Flood
Operating Temperature	-20°C to +40°C
MOL	2.19", 55.5mm
Voltage	AC/DC 12V
Rated Life	25,000 Hours
Certifications	  

benefits

Reduced Energy Consumption

Uses up to 90% less power than incandescent bulbs

Long-Lasting:

Lasts up to 10 times as long as compact fluorescents (CFLs) and up to 100 times longer than incandescents.

Durable:

A solid-state device with no moving parts. Contains no fragile filaments or tubes as in incandescent bulbs. The electronic chip is encapsulated in an epoxy substrate, which provides a protective seal against outside or foreign elements. Resistant to heat, cold and shock

More Efficient

Can generate twice the brightness of light (Lumens) at a fifth the wattage of an incandescent

Customizable

Highly customizable (color, beam spread, base, etc.) to fit all lighting needs

No Heat Build Up

Generates little to no heat during operation. This optimizes energy-efficiency (incandescent bulbs emit up to 98 percent of their energy as heat) and reduces demands on air-conditioning.

Mercury Free

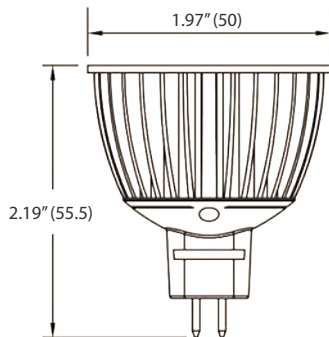
No mercury is used in the manufacturing of LEDs.

Specifications

	Warm White	Cool White
Color Temperature	3000K	5700K
Lumen Output	159 Lm	232 Lm
Efficacy	44 Lm/W	64 Lm/W
Color Rendering Index (CRI)	80+	70+

JDR E- GU10 E 4W

Dimensions (in/mm)



Ordering Information

example: NVE/MR16/3.1/WW/NSP/53/CC

model	color	beam spread	base	LED source
NVE/MR16/3.1/ - E-Series MR16 3*1.3	WW - Warm White CW - Cool White	NSP - Narrow Spot NFL - Narrow Flood FL - Flood WFL - Very Wide Flood	53 - GU5.3	Cree XPC

Beam Spread Key:

- VNSP - Very Narrow Spot: <7°
- NSP - Narrow Spot: 7°-15°
- SP - Spot: 16°-20°
- NFL - Narrow Flood: 21°-30°
- FL - Flood: 31°-40°
- WFL - Wide Flood: 41°-60°
- WFL - Very Wide Flood: 61°+

Color Key:

- WW - Warm White: 2000-3500K
- W - White: 3500-4500K
- CW - Cool White: 4500K+

Product Warranty

Nu Vue warrants this LED lamp will be free from defects in material and workmanship and will operate for a period of 1 year under normal operation and when used in accordance with operating guidelines. During the warranty period, if the product fails to perform as described, Nu Vue's entire liability will be limited to the part or repair or replacement of such a defective product. In no event shall Nu Vue be responsible for removal or reinstallation on any product or for the expenses thereof. The above warranty does not apply to, and Nu Vue makes no warranties with respect to products which have been subjected to misuse, neglect, accident, abuse or operated under conditions that deviate from the parameters, established in Nu Vue's applicable specifications; or have been improperly installed, stored, maintained, repaired or altered by anyone other than Nu Vue; or have had their serial numbers or month and year manufacture or shipment removed, defected or altered. This warranty is given only to the original purchaser and may not be assigned or transferred to any other party. It is the purchaser's obligation to retain appropriate documentation that indicates the date of purchase.

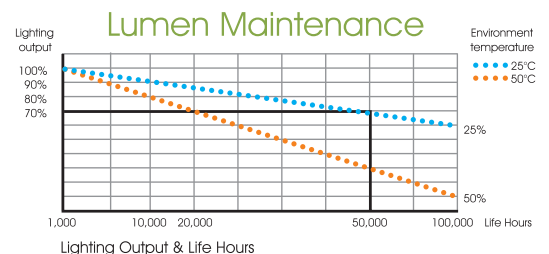


9301 Jordan Ave., Unit 105A
Chatsworth, CA. 91311
866-996-8883 818-678-9733
sales@nuvuelighting.com

Your Authorized Nu Vue Lighting Distributor:



Nu Vue Lighting is a registered trademark of Nu Vue Lighting L.L.C.
©2010 Nu Vue Lighting L.L.C. All Rights Reserved



DC 12V Power Supply

Nu Vue Lamps will perform at maximum efficiency and with the brightest light output when powered by a DC 12V power supply.

AC 12V Magnetic Transformer

Our LED lamps are compatible with magnetic transformers designed for 12V halogen lamps. However, magnetic transformers can be heavier, less efficient, and slightly noisier than electronic transformers. When operated under AC 12V, the LED lamp will only emit 90% of the maximum potential light output possible under DC 12V.

AC 12V Electronic Transformer

Our LED lamps are not compatible with AC 12V electronic transformers or AC 12V electronic magnetic transformers due to the output instability of these types of transformers. In addition, some electronic transformers require a minimum load of over 5-10 Watts in order to work properly, which the LED lamp often does not meet. Symptoms of incompatibility include: no light output, flickering, strobe effect, and/or random shutdown.

DC Constant Current Driver

Nu Vue LED lamps perform at a high efficiency when used with a constant current driver that has an output greater than DC 8V.



9301 Jordan Ave., Unit 105A
Chatsworth, CA. 91311
866-996-8883 818-678-9733
sales@nuvuelighting.com

Your Authorized Nu Vue Lighting Distributor:



Nu Vue Lighting is a registered trademark of Nu Vue Lighting L.L.C.
©2010 Nu Vue Lighting L.L.C. All Rights Reserved

