

Nu Vue Lighting High Power AR111 LED Lamps

NV-AR11114WI21C, NV-AR11114WI26C, NV-AR11114WI41C, NV-AR11114WI88C ~ Warm White
NV-AR11114W21C, NV-AR11114W26C, NV-AR11114W41C, NV-AR11114W88C ~ Cool White



Lamp Features:

- | | |
|--|---|
| <ul style="list-style-type: none"> • Color ~ Warm White • Wattage ~ 14W • Hours ~ 50,000 • Base ~ Screw Terminals • Voltage (V) ~ 12-24V • Degrees Available ~ 21°, 26°, 41°, 88° • Lumens (LM) ~ 596 • CCT (K) ~ 2580-3500K | <ul style="list-style-type: none"> • Color ~ Cool White • Wattage ~ 14W • Hours ~ 50,000 • Base ~ Screw Terminals • Voltage (V) ~ 12-24V • Degrees Available ~ 21°, 26°, 41°, 88° • Lumens (LM) ~ 745 • CCT (K) ~ 5500-6500 |
|--|---|

Product Features:

- CREE-XRE P3
- High C.R.I. >75
- Various Beam angles 21, 26, 41, 88
No UV or IR
- Direct replacement with 75W Halogen
- Energy Saving, Total power consumption up to 14W
- RoHS Compliant

Applications

Widespread use in commercial lighting projects, restaurants, hotels, meeting rooms, show rooms, counter lighting

Remarks

Please check that the switch is off before connecting power supply.
 Can not be installed in outdoor fixtures.
 Can not be installed in sealed fixtures.
 Not available for fixtures with dimming function.
 Indoor use only.

Ordering Information:

Choose the boldface catalog information that best suits your needs and write it on the appropriate line.

Quantity: _____ Part: _____ Base: _____

NV-AR11114WI21C, NV-AR11114WI26C, NV-AR11114WI41C, NV-AR11114WI88C ~ Warm White • Screw Terminal
NV-AR11114W21C, NV-AR11114W26C, NV-AR11114W41C, NV-AR11114W88C ~ Cool White

Manufactures Warranty

Nu Vue Lighting (manufacture) warrants that its lamps shall be free from defects in materials and workmanship for a period of 3 years from the date of purchase. Improper use of product instructions and specifications will VOID warranty. Improper installation of lamps Nu Vue Lighting (manufacturer) will not honor warranty. Customer will pay for shipping or freight for all warranty claims during the warranty TERM. Customer must contact Nu Vue Lighting for a Return Merchandise Authorization code prior to warranty being processed. Any return without a RMA code will be rejected.

No other warranty expressed or implied that the goods purchased are merchantable or fit for any particular purpose. Buyer will be responsible for all judgment calls based on selection and purchase. Buyer also acknowledges that they are not relying on seller's skill to select or furnish goods suitable for buyer's particular purpose.



Nu Vue Lighting High Power AR111 LED Lamps

NV-AR11114WI21C, NV-AR11114WI26C, NV-AR11114WI41C, NV-AR11114WI88C ~ Warm White
NV-AR11114W21C, NV-AR11114W26C, NV-AR11114W41C, NV-AR11114W88C ~ Cool White



Transformer Compatibility:

Two Types of low-voltage transformers are used with traditional Halogen lamps; magnetic AC12V and electronic AC12V. Consider the following when selecting transformers for use with AR111 LED.

- AC12V Magnetic Transformer:

The LED bulb is compatible with magnetic transformers used with 12V halogens; however, magnetic transformers are heavier, less efficient, and make noise. Under 12V AC condition, T-type series AR111 LED can only present 90% lighting comparing the condition under 12V DC.

- AC12V Electronic Transformer:

The LED bulb is not compatible with electronic transformers or electronic-magnetic AC12V due to the output section of this kind of transformers are not stable. Besides, some electronic transformers require a minimum load higher than 5~10Watt in order to work properly. Symptoms of incompatibility include: no light output, flickering, strobe and randomly shutdown.

- DC12V Power Supply:

T-type AR111 can perform highest brightness and power efficiency under DC12V power supply.

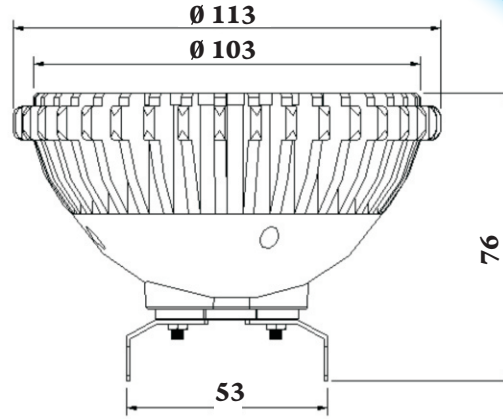
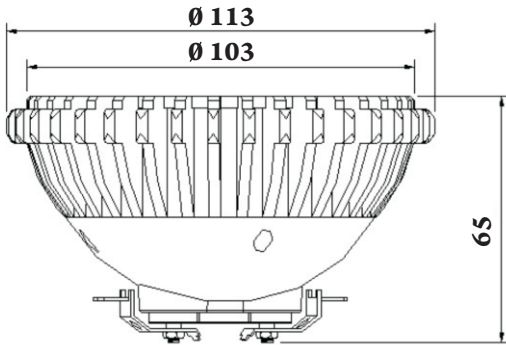
- DC Constant current driver:

T-type AR111 can also perform high efficiency with constant current driver which is greater than 12V DC of output section.

Nu Vue Lighting High Power AR111 LED Lamps

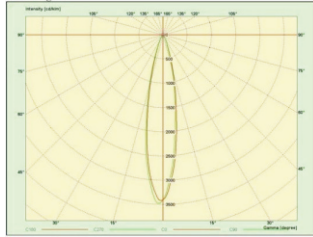
NV-AR11114WI21C, NV-AR11114WI26C, NV-AR11114WI41C, NV-AR11114WI88C ~ Warm White
NV-AR11114W21C, NV-AR11114W26C, NV-AR11114W41C, NV-AR11114W88C ~ Cool White

Dimensions:

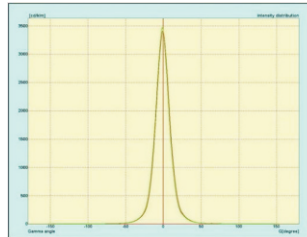


Photometric Data:

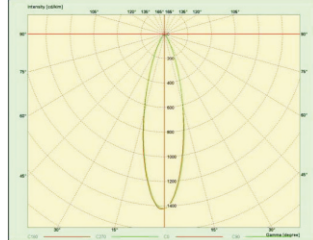
21 Degrees Polar Diagram



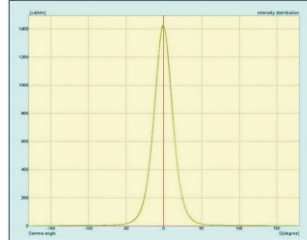
21 Degrees Certesian Diagram



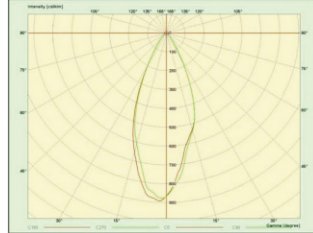
26 Degrees Polar Diagram



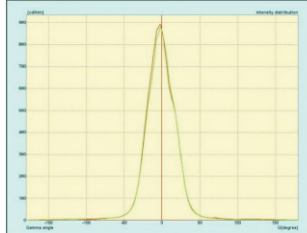
26 Degrees Certesian Diagram



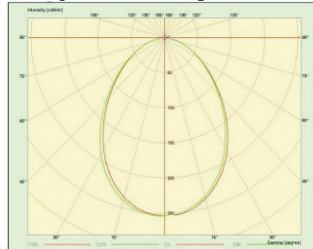
41 Degrees Polar Diagram



41 Degrees Certesian Diagram



88 Degrees Polar Diagram



88 Degrees Certesian Diagram

